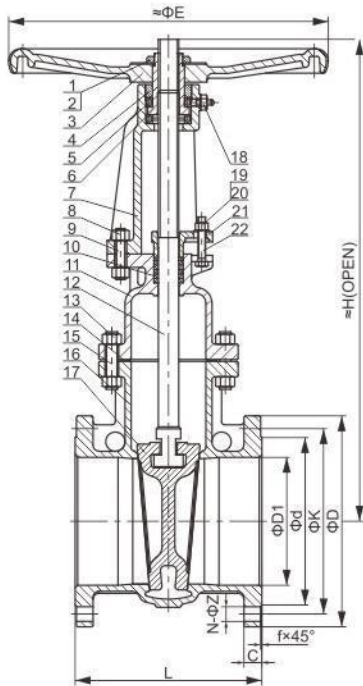


ANSI FLANGE GATE VALVE 1/2-20 Z40W-CL150



技术要求 Applicable Standards

1. 设计标准 Design Rating: API 600, API 603, ASME B16.34;
2. 结构长度 Face to Face: ASME B16.10;
3. 法兰标准 Flanged Ends: ASME B16.5;
4. 检查和试验 Inspection & Testing: API 598.

主要零部件材料 Main Parts and Materials

| No. | 零件名称 PAPT NAME | 材质 MATERIAL | |
|-----|--------------------|-------------|----------|
| 1 | 圆螺母 Round nut | 1025 | |
| 2 | 铭牌 Nameplates | Al | |
| 3 | 手轮 Handwheel | KTH330 | |
| 4 | 轴承压盖 Bearing gland | 1025 | |
| 5 | 轴承 Bearing | GCr15 | |
| 6 | 阀杆螺母 Stem nut | QT400/Brass | |
| 7 | 支架 Stand | WCB | CF8/CF8M |
| 8 | 螺母 Nut | 2H | 304 |
| 9 | 螺柱 Stud | B7 | 304 |
| 10 | 填料 Packing | Graphite | PTFE |
| 11 | 阀盖 Bonnet | WCB | CF8/CF8M |

| No. | 零件名称 PAPT NAME | 材质 MATERIAL | |
|-----|----------------|--------------|----------|
| 12 | 阀杆 Stem | F6a | 304/316 |
| 13 | 螺母 Nut | 2H | 304 |
| 14 | 密封垫 Gasket | 304+Graphite | PTFE |
| 15 | 螺柱 Stud | B7 | 304 |
| 16 | 阀体 Body | WCB | CF8/CF8M |
| 17 | 阀板 Disc | WCB | CF8/CF8M |
| 18 | 油杯 Oil cup | | CU |
| 19 | 螺母 Nut | 2H | 304 |
| 20 | 垫片 Washer | 1020 | 304 |
| 21 | 填料压盖 Gland | WCB | CF8 |
| 22 | 螺栓 Screw | B7 | 304 |

主要外形尺寸和连接尺寸 Main External and Connecting Dimensions

| NPS | D1 | d | K | D | f | C | N-ΦZ | L | E | H≈ |
|-------|-----|-------|-------|-----|---|------|-------|-----|-----|------|
| 1/2 | 15 | 34.9 | 60.3 | 90 | 2 | 10.0 | 4-16 | 108 | 120 | 225 |
| 3/4 | 20 | 42.9 | 69.9 | 100 | 2 | 10.9 | 4-16 | 117 | 120 | 235 |
| 1 | 25 | 50.8 | 79.4 | 110 | 2 | 11.6 | 4-16 | 127 | 140 | 255 |
| 1 1/4 | 32 | 63.5 | 88.9 | 115 | 2 | 13.2 | 4-16 | 140 | 160 | 272 |
| 1 1/2 | 40 | 73.0 | 98.4 | 125 | 2 | 14.7 | 4-16 | 165 | 180 | 315 |
| 2 | 50 | 92.1 | 120.7 | 150 | 2 | 16.3 | 4-19 | 178 | 200 | 360 |
| 2 1/2 | 65 | 104.8 | 139.7 | 180 | 2 | 17.9 | 4-19 | 190 | 220 | 425 |
| 3 | 80 | 127.0 | 152.4 | 190 | 2 | 19.5 | 4-19 | 203 | 240 | 460 |
| 4 | 100 | 157.2 | 190.5 | 230 | 2 | 24.3 | 8-19 | 229 | 260 | 550 |
| 5 | 125 | 185.7 | 215.9 | 255 | 2 | 24.3 | 8-22 | 254 | 300 | 660 |
| 6 | 150 | 215.9 | 241.3 | 280 | 2 | 25.9 | 8-22 | 267 | 320 | 755 |
| 8 | 200 | 269.9 | 298.5 | 345 | 2 | 29.0 | 8-22 | 292 | 350 | 970 |
| 10 | 250 | 323.8 | 362.0 | 405 | 2 | 30.6 | 12-25 | 330 | 400 | 1170 |
| 12 | 300 | 381.0 | 431.8 | 485 | 2 | 32.2 | 12-25 | 356 | 450 | 1410 |
| 14 | 350 | 412.8 | 476.3 | 535 | 2 | 35.4 | 12-29 | 381 | 500 | 1560 |
| 16 | 400 | 469.9 | 539.8 | 595 | 2 | 37.0 | 16-29 | 406 | 550 | 1765 |
| 18 | 450 | 533.4 | 577.9 | 635 | 2 | 40.1 | 16-32 | 432 | 600 | 1900 |
| 20 | 500 | 584.2 | 635.0 | 700 | 2 | 43.3 | 20-32 | 457 | 700 | 2100 |