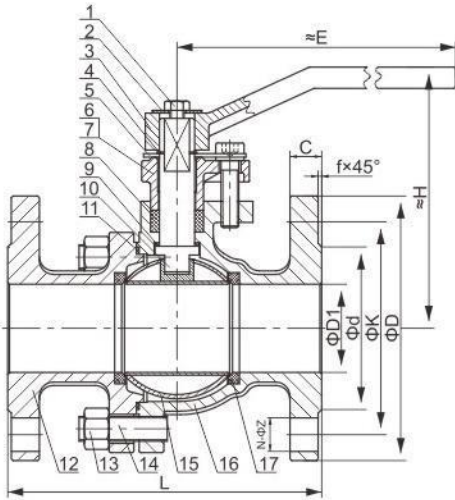


## JIS FLANGE BALL VALVE 15A-350A Q41F-10K



### 技术要求 Applicable Standards

1. 设计标准 Design Rating: JIS B2071, ASME B16.34;
2. 结构长度 Face to Face: JIS B2002;
3. 法兰标准 Flanged Ends: JIS B2220;
4. 检查和试验 Inspection & Testing: JIS B2003.

### 用途与性能规范 Use and specifications

本阀门适用于工作温度-29°C~150°C的水, 蒸汽或油类介质的管路上, 用来接通或截断管路中介质。  
The valve is applied in the pipes with the media such as water, steam and oil within the working temperature from -29°C to 150°C to connect or cut off the media in pipes.

### 主要零部件材料 Main Parts and Materials

No.	零件名称 PAPT NAME	材质 MATERIAL	
1	螺栓 Screw	SM35C	304
2	垫片 Washer	SS400	304
3	手柄 Handle	SCPH2	
4	挡圈 Retaining ring	SUP6	304
5	限位块 Orientation patch	SS400	304
6	螺钉 Screw	SM35C	304
7	填料压盖 Gland	SCPH2	SCS13
8	填料 Packing	PTFE	
9	止推垫 Thrust Gasket	PTFE	

No.	零件名称 PAPT NAME	材质 MATERIAL	
10	阀杆 Stem	304	304/316
11	密封垫 Gasket	PTFE	
12	阀盖 Bonnet	SCPH2	SCS13/SCS14
13	螺母 Nut	SM35C	304
14	螺柱 Stud	SM45C	304
15	球体 Ball	304	304/316
16	阀体 Body	SCPH2	SCS13/SCS14
17	阀座 Seat	PTFE	

### 主要外形尺寸和连接尺寸 Main External and Connecting Dimensions

NPS	D1	d	K	D	C	f	N-ΦZ	L	H	E
15A	15	51	70	95	12	1	4-15	108	79	125
20A	20	56	75	100	14	1	4-15	117	82	125
25A	25	67	90	125	14	1	4-19	127	102	155
32A	32	76	100	135	16	2	4-19	140	106	155
40A	38	81	105	140	16	2	4-19	165	128	240
50A	50	96	120	155	16	2	4-19	178	135	240
65A	65	116	140	175	18	2	4-19	190	145	280
80A	78	126	150	185	18	2	8-19	203	160	320
100A	98	151	175	210	18	2	8-19	229	180	320
125A	123	182	210	250	20	2	8-23	356	252	530
150A	148	212	240	280	22	2	8-23	394	285	630
200A	198	262	290	330	22	2	12-23	457	385	800
250A	248	324	355	400	24	2	12-25	533	485	
300A	298	368	400	445	24	3	16-25	610	545	涡轮 Turbine
350A	348	413	445	490	26	3	16-25	686	635	