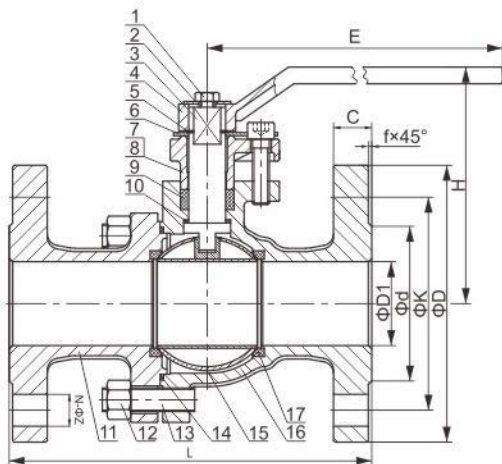


JIS FLANGE BALL VALVE 15A-300A Q41F-20K



技术要求 Applicable Standards

1. 设计标准 Design Rating: JIS B2071, ASME B16.34;
2. 结构长度 Face to Face: JIS B2002;
3. 法兰标准 Flanged Ends: JIS B2220;
4. 检查和试验 Inspection & Testing: JIS B2003.

用途与性能规范 Use and specifications

本阀门适用于工作温度 $\leq 150^{\circ}\text{C}$ 的水, 蒸汽或汽油类介质的管路上, 用来接通或截断管路中介质。
The valve is applied in the pipes with the media such as water, steam and oil with the working temperature less than or equal to 150°C to connect or cut off the media in pipes

主要零部件材料 Main Parts and Materials

No.	零件名称 PAPT NAME	材质 MATERIAL	
1	螺栓 Screw	SM35C	304
2	垫片 Washer	SS400	304
3	阀杆 Stem	304	304/316
4	手柄 Handle	SCPH2	
5	挡圈 Retaining ring	SUP6	304
6	限位块 Orientation patch	SS400	304
7	螺钉 Screw	SM35C	304
8	填料压盖 Gland	SCPH2	SCS13
9	填料 Packing	PTFE	

No.	零件名称 PAPT NAME	材质 MATERIAL	
10	止推垫 Thrust Gasket	PTFE	
11	阀盖 Bonnet	SCPH2	SCS13/SCS14
12	螺母 Nut	SM35C	304
13	螺柱 Stud	SM45C	304
14	密封垫 Gasket	PTFE	
15	球体 Ball	304	304/316
16	阀体 Body	SCPH2	SCS13/SCS14
17	阀座 Seat	RPTFE	

主要外形尺寸和连接尺寸 Main External and Connecting Dimensions

NPS	D1	d	K	D	C	f	N-ΦZ	L	H	E
15A	15	51	70	95	14	1	4-15	140	79	120
20A	20	56	75	100	16	1	4-15	152	82	120
25A	25	67	90	125	16	1	4-19	165	109	150
32A	32	76	100	135	18	2	4-19	178	113	150
40A	38	81	105	140	18	2	4-19	190	143	230
50A	50	96	120	155	18	2	8-19	216	151	255
65A	65	116	140	175	20	2	8-19	241	176	280
80A	78	132	160	200	22	2	8-23	283	209	350
100A	98	160	185	225	24	2	8-23	305	228	350
125A	125	195	225	270	26	2	8-25	381	316	630
150A	150	230	260	305	28	2	12-25	403	353	830
200A	200	275	305	350	30	2	12-25	502	涡轮 Turbine	
250A	250	345	380	430	34	2	12-27	568		
300A	300	395	430	480	36	3	16-27	648		