

QH Series

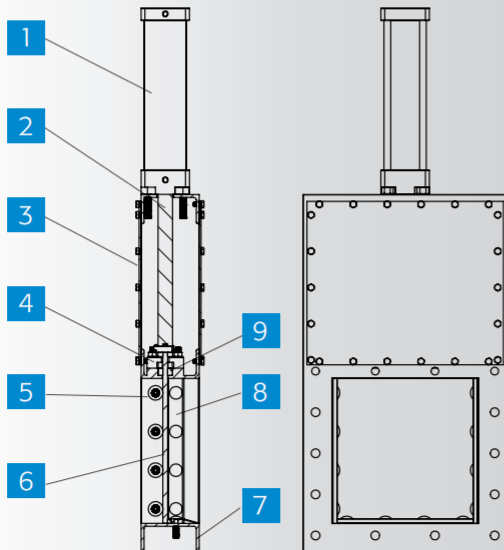
Unidirectional Sealing Knife Gate Valve



- Model:** QHZ43X
- Working Pressure:** DN150-DN400 6-10bar
DN450-DN550 4-7bar
DN600-DN800 3-5bar
DN850-DN900 1-2bar
- Type:** SquareFlange
- Design Standard:** MSS SP-81
- Flange Standard:** DIN PN10,PN16,150LB ,JIS 10K
- Face to Face:** MSS SP-81
- Testing Standard:** API-598
- Operation:** handwheel, electric, pneumatic, hydraulic, sprocket, electro-hydraulic, gear
- Main material:** Q235,Stainless steel
- Wedge material:** F55,F53,2205,SS310,SS316L,SS316,SS304
- Sealing material:** NBR,FKM,graphite,Metal to Metal
- Packing:** Aramid fiber,high-water-based rubber packing graphite wheel
- Applicable medium:** Applicable for Urban sewage treatment, sugar, powder, medicine, chemical and other fields

Product Features:

- 80-400°C
- Modified packing seal structure
- Design of bearing guide
- bonnet design



Code	Name	Material	QTY
1	cylinder	Aluminum	1
2	Stem	2Cr13/SS304/SS16	1
3	Cover	Q235/SS304/SS16	2
4	Packing gland	Q235/SS304/SS16	1
5	Guide bearing	Plastic	N
6	Dlsc	SS304/SS316	1
7	Body	Q235/SS304/SS16	2
8	Seat gland	Q235/SS304/SS16	2
9	Packing	PTFE/NBR/graphite	3-5